

KREATYWNY ENERGY POLSKA

Which is better photovoltaic panel heating or power generation

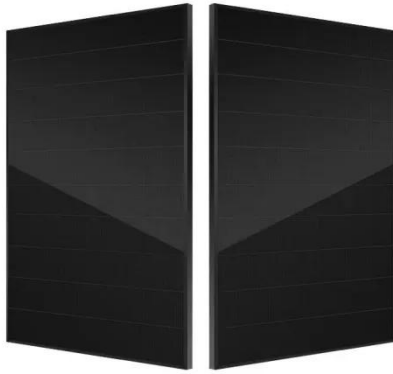


Overview

Solar PV systems use panels to generate electricity, while thermal systems absorb heat for heating applications. Read this guide to learn the differences and decide which best suits your purposes. Solar Thermal — What's the Difference?

Quick Answer: Solar PV and solar thermal both harness energy from the sun but for. In 2025, the technology has become more refined, and it is difficult to make a decision that isn't as simple as "panels vs. " In this guide, we'll break down photovoltaic vs solar thermal so that you can get a clear comparison to help point you in the right direction. What is the Basic. Solar power is usually thought of as synonymous with collecting sunlight and turning it into usable energy, but you can also collect heat from the sun, which is known as solar thermal power.

Which is better photovoltaic panel heating or power generation



Solar Power vs. Thermal Power: Pros and Cons

Compare solar thermal and PV systems with 8MSolar's solutions. Discover which solar technology suits your energy needs and supports a ...

Solar Thermal Energy vs. Solar Panels (2026) , 8MSolar

Compare solar thermal and PV systems with 8MSolar's solutions. Discover which solar technology suits your energy needs and supports a sustainable future.



Choosing Between Photovoltaic and Solar Panels: A Comparative Guide

Solar PV systems use panels to generate electricity, while thermal systems absorb heat for heating applications. PV technology is cost-effective and efficient for sustainable energy, suitable ...

Solar Power vs. Thermal Power: Pros and Cons

With a photovoltaic solar power system, you collect light energy that's converted into electricity. Both thermal power and solar power come with copious benefits and drawbacks that you can use to lower ...



Comparing Solar Thermal vs Solar PV -- What's the Difference

While solar thermal systems are efficient in converting sunlight into heat, solar PV systems have been improving in efficiency over the years, making them competitive in terms of ...

Solar PV vs Solar Thermal: Which Is Better in 2025?

When comparing photovoltaic vs solar thermal in 2025, it is helpful to look at the different system types and where each technology really shines. Both have grown into specialized categories ...



Photovoltaic Panels vs. Thermal Energy: How Solar Electricity Really

This article clarifies how photovoltaic (PV) panels actually convert sunlight into electricity, explores alternative solar

technologies like thermal systems, and reveals why this distinction matters for your ...



Solar Thermal vs Photovoltaic Solar: What's the Difference?

Let's delve into the solar thermal vs photovoltaic debate, exploring the mechanics of these two solar power giants, comparing their efficiencies, and guiding you through their best-case applications.



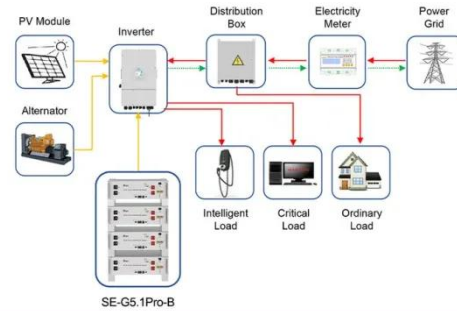
Solar Photovoltaic vs. Solar Thermal: Understanding the Differences

Solar photovoltaic and solar thermal are both renewable energy systems but with different aims. Understand the differences to decide which is best for you.

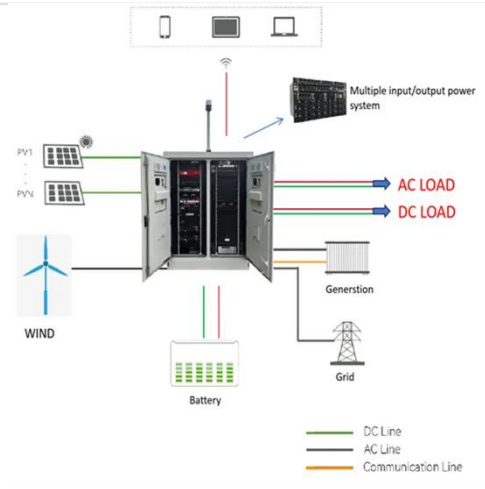
Photovoltaic VS Solar Thermal: A Detailed Look

Photovoltaic (PV) and Solar Thermal are two popular and established

technologies used to generate electricity from the sun. Both of these solar power technologies harness sunlight, but ...



Application scenarios of energy storage battery products



Photovoltaic Heat vs. Solar Thermal - Cost and Area Comparison

However, there is a clear distinction: Photovoltaic systems generate electricity, while solar thermal systems produce heat. In photovoltaics, solar cells, grouped into modules, are used for ...

Contact Us

For catalog requests, pricing, or partnerships, please visit:
<https://www.kreatywny-dom.pl>

