

KREATYWNY ENERGY POLSKA

Which brand of modular battery cabinet with 80kWh is the best



Overview

☐☐ 3rd Place: EP Cube by Canadian Solar - The versatile modular solution with AC/DC coupling options - ☐☐ 2nd Place: Franklin WH APower2 - Revolutionary thermal management with industry-leading 15-year warranty ☐☐ 1st Place: Tesla Powerwall 3 - The most powerful hybrid solution with. ☐☐ 3rd Place: EP Cube by Canadian Solar - The versatile modular solution with AC/DC coupling options - ☐☐ 2nd Place: Franklin WH APower2 - Revolutionary thermal management with industry-leading 15-year warranty ☐☐ 1st Place: Tesla Powerwall 3 - The most powerful hybrid solution with. Highly efficient, easy-to-deploy 80 kW, 480 V 3-phase UPS that brings best-in-class power protection and low total cost of ownership to edge, small and medium data centers, as well as to critical infrastructure in commercial and industrial applications. Includes 5x8 start-up service and 3 smart. In this honest review, I break down the best battery backup options on the market based on real installer feedback and my years of. These systems not only promise reliability during outages but also offer advanced features for efficient energy management. Each. When selecting an 80kWh solar battery storage system, prioritize models with high round-trip efficiency (90%+), deep depth of discharge (DoD $\geq 90\%$), lithium iron phosphate (LiFePO₄) chemistry for safety and longevity, and scalable design for future expansion. These systems are ideal for large homes. Our Li-ion battery range includes cells, modules, indoor and outdoor cabinets, and containers, providing customers exceptional scalability and flexibility to meet diverse requirements. We don't just fall for the latest flashy technology that's advertised everywhere.

Which brand of modular battery cabinet with 80kWh is the best

**LPR Series 19'
Rack Mounted**



GVSUPS80KB5GS

Highly efficient, easy-to-deploy 80kW, 480V 3-phase UPS that brings best-in-class power protection and low total cost of ownership to edge, small and medium data centers, as well as to critical ...

Top 3 Home Solar Battery Backup Systems of 2025: HONEST

In this honest review, I break down the best battery backup options on the market based on real installer feedback and my years of experience.

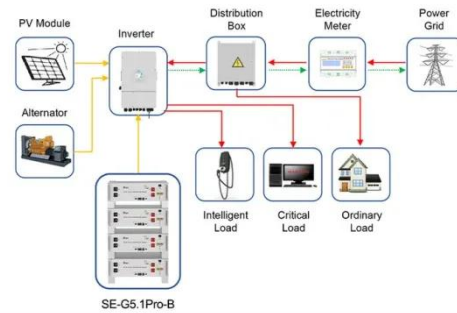


GSL Energy High-Voltage Battery Cabinet GSL-HV51200

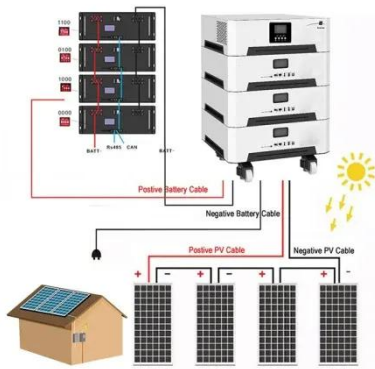
The GSL Energy high-voltage battery cabinet GSL-HV51200 is a robust energy storage system with capacities from 80kWh to 140kWh, using an innovative HESS battery structure.

10 Best Modular Home Battery Systems for Sustainable Energy ...

Sustainable energy solutions are evolving in 2025, and these 10 modular home battery systems could redefine your energy experience--discover which one fits your needs best.



Application scenarios of energy storage battery products

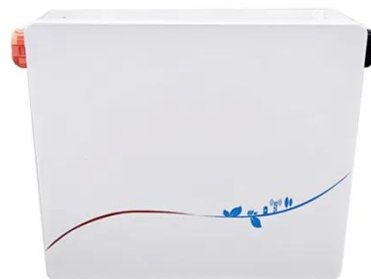


Best Solar Battery Backup Systems For Homes In 2025 , SolarReviews

The best home solar batteries for 2025 are the Tesla Powerwall 3, Enphase IQ Battery, Panasonic EverVolt, Canadian Solar EP Cube, Anker SOLIX X1, and more!

Low-voltage Lithium Iron Battery Cabinet : PRO Series: C ...

The rack-mounted low-voltage lithium battery pack PRO series, manufactured with long-life and low-maintenance technology, provides modular and scalable energy storage systems to meet the needs ...



80kWh rackable customized battery system

Comprising eight sets of battery units, each harboring a formidable 10.75 kWh energy capacity, the ESS culminates in



an impressive total storage capability of 80 kWh.

Stackrack Battery

Our modular battery systems, compatible with top-tier inverters like Sol-Ark, Luxpower, and Solis, offer a fully customizable energy storage solution for your home. With StackRack, you can power more ...



What are the best modular battery systems for upgrading

Modular Battery Systems for Upgrading
1. Generac Pwrcell Modularity: The system comes with a cabinet that can contain modules, allowing capacity expansion from ...

How to Choose the Best 80kWh Solar Battery Storage System: A ...

Learn what to look for in an 80kWh solar battery storage system, including key specs, types, pricing, and top considerations before buying.



GVSUPS80KB5GS

Highly efficient, easy-to-deploy 80kW, 480V 3-phase UPS that brings best ...

GSL Energy High-Voltage Battery Cabinet GSL ...

The GSL Energy high-voltage battery cabinet GSL-HV51200 is a robust ...



Contact Us

For catalog requests, pricing, or partnerships, please visit:
<https://www.kreatywny-dom.pl>

