

KREATYWNY ENERGY POLSKA

Where does solar power pollution come from



Overview

Yes, solar power can indirectly contribute to pollution, although significantly less than fossil fuels. This pollution primarily arises during the manufacturing, transportation, and disposal stages of solar panels and associated components, rather than during their electricity generation. When these panels get old, recycling them is expensive and difficult. The sun provides a tremendous resource for generating clean and sustainable electricity without toxic pollution or global warming emissions.

Where does solar power pollution come from



Solar energy and the environment

Solar energy technologies and power plants do not produce air pollution or greenhouse gases when operating. Using solar energy can have a positive, indirect effect on the environment when solar ...

What pollution does solar power plant cause? , NenPower

The establishment of solar power plants contributes to environmental challenges, notably through emissions during manufacturing, land use changes, and waste generation.



Does Solar Power Cause Pollution? - The Institute for Environmental

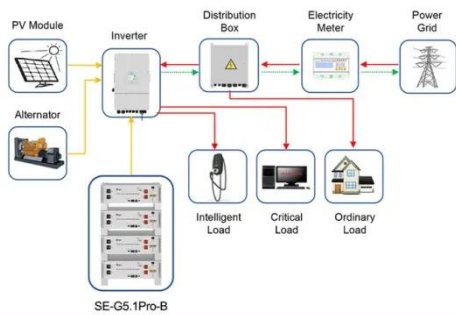
Yes, solar power can indirectly contribute to pollution, although significantly less than fossil fuels. This pollution primarily arises during the manufacturing, transportation, and disposal stages of ...



Environmental Impacts of Solar

Power

The potential environmental impacts associated with solar power depend on the technology, which includes two broad categories: photovoltaic solar cells and concentrating solar ...



Application scenarios of energy storage battery products

The Environmental Impact of Solar Energy: Is It Truly Worth It?

Solar panels can be made from silicon or gallium arsenide, both of which are toxic to the environment if they're not disposed of properly. The manufacturing process also creates other ...

Solar Energy's Dark Side: Pollution And Its Causes

Solar energy has a dark side: pollution. Learn about the causes and effects of this issue, and how we can address it to ensure a sustainable future.



Examining the Environmental Impact of Solar Panels

Solar panels rely on materials like lithium, cobalt, and rare earth metals, which are obtained through mining. This mining process often leads to

environmental damage, such as land ...



Do Solar Energy Systems Cause Pollution?

Solar energy, often hailed as a clean and sustainable power source, unequivocally does not cause pollution. In this exploration, we'll uncover the facts and dispel the myths surrounding solar ...



Solar Energy

Solar energy is the fastest growing and most affordable source of new electricity in America. As the cost of solar energy systems dropped significantly, more Americans and businesses ...

Is There Any Pollution From Solar Energy?

By enabling local energy independence, solar installations reduce reliance on centralized fossil fuel sources that often come with their share of pollution-

generated risks.



Contact Us

For catalog requests, pricing, or partnerships, please visit:
<https://www.kreatywny-dom.pl>

