

KREATYWNY ENERGY POLSKA

**What is the department called
where photovoltaic panels are
made**



Overview

The Solar office supports development of low-cost, high-efficiency photovoltaic (PV) technologies to make solar power more accessible. While some concentrating solar-thermal manufacturing exists, most solar manufacturing in the United States is related to photovoltaic (PV) systems. Those systems are comprised of PV modules, racking and wiring, power electronics, and system monitoring devices, all of which are manufactured. A single PV device is known as a cell. An individual PV cell is usually small, typically producing about 1 or 2 watts of power. These cells are made of different. Most panels on the market are made of monocrystalline, polycrystalline, or thin film ("amorphous") silicon. Silicon creates solar cells that can generate electricity from the sun.

What is the department called where photovoltaic panels are made



What are solar panels made of and how are they made?

Answering that question means understanding how solar energy works, how solar panels are manufactured, and what the parts of a solar panel are. Most panels on the market are made of ...

Solar Manufacturing

The U.S. Department of Energy (DOE) Solar Energy Technologies Office (SETO) funds research projects that boost domestic manufacturing competitiveness and help America compete on a global ...



Photovoltaics , Department of Energy

The Solar office supports development of low-cost, high-efficiency photovoltaic (PV) technologies to make solar power more accessible.

Solar Panel Manufacturer, PV, Module Supplier

With USD20 million as first phase investment, Shanghai alex solar energy science & technology Co., Ltd. is dedicated to the R& D, manufacture, sale and technical services of crystalline silicon solar ...

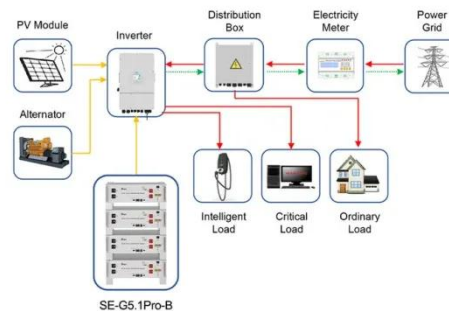


Solar Photovoltaic Manufacturing Basics

While some concentrating solar-thermal manufacturing exists, most solar manufacturing in the United States is related to photovoltaic (PV) systems. Those systems are comprised of PV modules, racking ...

How Does Solar Work?

The amount of sunlight that strikes the earth's surface in an hour and a half is enough to handle the entire world's energy consumption for a full year. Solar technologies convert sunlight into electrical ...



Application scenarios of energy storage battery products

Solar Photovoltaic Cell Basics

Learn more about photovoltaics research in the Solar Energy Technologies Office, check out these solar energy information resources, and find out more about how

solar works.



How Are Solar Panels Made? A Comprehensive Overview

In this guide, we'll explain how solar panels are made, what they're made of, and where they're manufactured to give you a more holistic view of solar technology.



What are solar panels made of and how are they ...

Answering that question means understanding how solar energy ...

Solar Photovoltaic Technology Basics

Learn the basics of how photovoltaic (PV) technology works with these resources from the DOE Solar Energy

Technologies Office.



Contact Us

For catalog requests, pricing, or partnerships, please visit:
<https://www.kreatywny-dom.pl>

