

KREATYWNY ENERGY POLSKA

Times water-cooled energy storage system



Overview

ATES systems store and retrieve thermal energy using natural aquifers, offering a sustainable solution for year-round heating and cooling that could revolutionize how we manage energy in our buildings and communities. Thermal energy storage (TES) technologies heat or cool a storage medium and, when needed, deliver the stored thermal energy to meet heating or cooling needs. With over 4,000 installations worldwide, TES offers a modular, scalable system backed by extensive research and expert support. As renewable energy projects grow bigger than.

Times water-cooled energy storage system

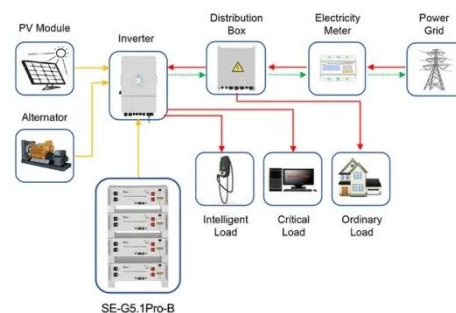


Thermal Energy Storage

The most common Cool TES energy storage media are chilled water, other low-temperature fluids (e.g., water with an additive to lower freezing point), ice, or some other phase change material. Cool TES ...

Thermal Energy Storage for Chilled Water Systems

Learn about Thermal Energy Storage (TES) for chilled water systems and its benefits in reducing power consumption and managing peak demand. Contact VERTEX's mechanical engineers ...



Application scenarios of energy storage battery products



Thermal Energy Storage

Learn the basics of how Thermal Energy Storage (TES) systems work, including chilled water and ice storage systems.

Water Thermal Storage , ARANER

A Thermal Energy Storage system has a wide array of uses, whether you need to cut down on peak electricity costs, fit a stratified tank into your current design, or if you want to incorporate it with gas ...



Water-Cooled Energy Storage: The Future of Efficient Thermal ...



Why Your Energy Storage System Needs a "Liquid Hug" Imagine your smartphone battery suddenly deciding to take a bubble bath during intense gaming. That's essentially what water-cooled ...

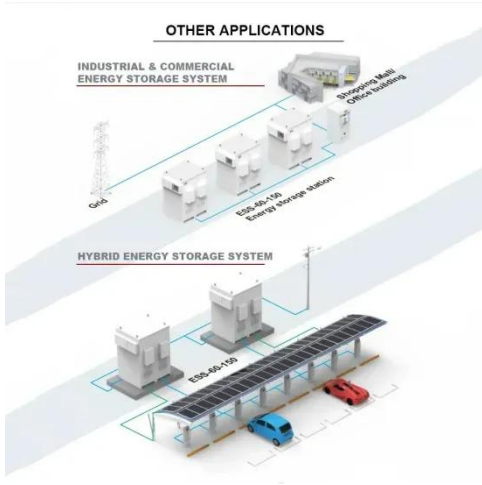
What are the water-cooled energy storage modules? , NenPower

Water-cooled energy storage modules represent a significant advancement in energy storage technology, primarily designed to address issues such as overheating and thermal ...



Thermal Energy Storage , Trane Commercial HVAC

Thermal energy storage tanks store cooling or heating collected during off-peak times to provide thermal management during periods of peak



demand. This reduces strain on the grid and helps maintain ...

Emerging Trends and Future Prospects of Thermochemical Energy ...

In the context of building energy systems, TCES technologies are particularly suited for space and water heating due to their ability to store thermal energy over long durations without ...



A comprehensive review of thermal energy storage technologies and ...

When cooling is required, warm water is passed through the system and cooled by the melting ice, effectively delivering chilled water to the cooling load. This configuration permits the ...

Aquifer Thermal Energy Storage (ATES): Innovations in Renewable ...

At its core, ATES operates on a beautifully simple principle: water's

exceptional ability to store and transfer heat. Think of an aquifer--those underground layers of water-bearing rock or ...



Contact Us

For catalog requests, pricing, or partnerships, please visit:
<https://www.kreatywny-dom.pl>

