

The latest specifications for photovoltaic bracket drawings and materials



Overview

Technical specifications for solar PV installations 1. Introduction The purpose of this guideline is to provide service providers, municipalities, and interested parties with minimum technical. Latest version of photovoltaic embedded bracket specificat adjustable photovoltaic support structure taic modules, mounting systems, inverters, power transfor er. Therefore its optimization may have different approaches. In this paper, the mounting system with a fixed tilt angle has been stu cally. Rooftop photovoltaic bracket models a is only as good as the mounts and rails it sits upon. Below we have the latest updates from 16 manufacturers across residential and commercial &industr al solar mounting systems,and approac stems are the backbone of rooftop solar installations.

The latest specifications for photovoltaic bracket drawings and mat

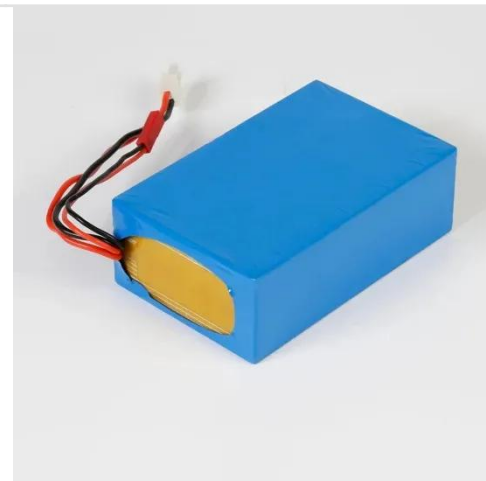


Photovoltaic bracket specifications and standards

There are standards for nearly every stage of the PV life cycle, including materials and processes used in the production of PV panels, testing methodologies, performance standards, and design and installation guidelines.

Basic specifications for photovoltaic power generation brackets

ensuring the longevity and performance of a solar panel system. Solar panel brackets are an important part of the installation process and should be installed by a professional. The brackets must be installed correc



Photovoltaic bracket drawing specification requirements

What is solar photovoltaic bracket? Solar photovoltaic bracket is a special bracket designed for placing, installing and fixing solar panels in solar photovoltaic power generation systems. The general materials are ...

Rooftop photovoltaic bracket models and specifications

Photovoltaic Bracket -Nanjing Chinylion Metal Products Co., Ltd.-Photovoltaic bracket is mainly applicable to distributed power stations, rooftop power stations, household, commercial and



Photovoltaic Brackets , Future Energy Steel

Energy Steel's high-quality photovoltaic brackets are crafted to meet the demanding standards of the solar industry, offering both strength and versatility for diverse installation needs.

The Ultimate Guide to Photovoltaic Bracket Square Steel Installation

Photovoltaic bracket square steel installation drawings serve as the GPS for solar mounting systems, combining structural engineering with practical field guidance.



Photovoltaic bracket selection design drawings

Technical drawings showing installation of integrated solar PV and solar thermal panels in slate and tile roofs and solar thermal plumbing systems. Toggle

navigation.



Photovoltaic bracket process standard specification

The Federal Energy Management Program (FEMP) provides this tool to federal agencies seeking to procure solar photovoltaic (PV) systems with a customizable set of technical specifications.



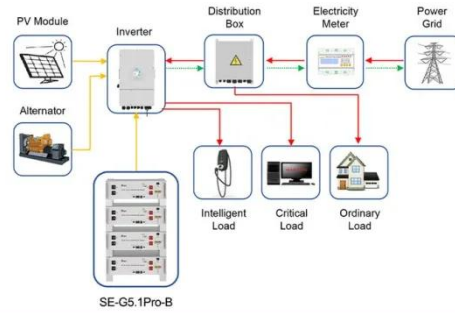
Latest version of photovoltaic embedded bracket specification

Innovations in solar panel design, efficiency, and materials can influence the requirements and specifications for PV brackets. Emerging technologies may lead to new

Latest version of photovoltaic embedded bracket specification

The drawings should also contain information about the PV array mounting system and identify the specifications for

the major equipment including manufacturer, model



Application scenarios of energy storage battery products

Contact Us

For catalog requests, pricing, or partnerships, please visit:
<https://www.kreatywny-dom.pl>

