

South Korea signal base station

System Topology



Overview

Located along the western coast of South Korea within the seaport city of Pyeongtaek, approximately 40 miles south of Seoul, U. Army Garrison (Camp) Humphreys is the "Army's Home in Korea. Army, the Second Infantry Division, the Army's most. The South Korea Base Transceiver Station Signal Amplifiers Market was valued at 14. 6 billion in 2025 and is projected to grow at a CAGR of 12. The South Korea base-station-antenna market is expanding rapidly as the nation upgrades its digital infrastructure to enable nationwide 5G and, ultimately, 6G coverage.

South Korea signal base station



Signal Corp Units In The Korean War

Signal Corp Units In The Korean War
Army Security Agency 126th Signal Service Company 226th Signal Service Company 301st Communications Reconnaissance Battalion 303rd Communications ...

South Korea Base Station Signal Amplifier Market Evolution Driven by

As South Korea continues to lead in 5G deployment and digital transformation initiatives, the need for efficient signal amplification solutions becomes critical to ensure seamless coverage



36th Signal Battalion

The company was an operational, fixed signal company deployed in its combat configuration over an area of 6,000 square miles in the southern portion of Korea.

South Korea Base Station Signal

Amplifier Market Size 2026 , Growth

The growth of the South Korea Base Station Signal Amplifier Market is primarily driven by the rapid expansion of 4G and 5G network deployments across the country.



South Korea LTE Base Station System Market Report ...

South Korea LTE base station system market size is projected to exhibit a growth rate (CAGR) of 21.19% during 2025-2033.

By LTC Mark Rosenstein tered and surveyed the highest

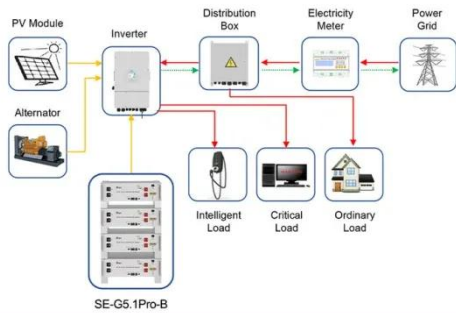
le-ments operating as far south as Chinhae and Busan. At the time of their con-struction, most of these remote mountaintop radio relay sites were manned 24 hours a day, seven days a week by signalmen



South Korea Compact Base Station Market Forecasts, Expansion

The South Korean compact base station market is projected to grow at a robust CAGR over the forecast period, driven by

the nation's strategic push towards 5G densification and digital



Application scenarios of energy storage battery products

Korea Base Station Antenna Market Trends & Forecast 2025-2035

South Korea remains a global leader in 5G deployment, now entering a densification phase focused on small cells and millimeter-wave (mmWave) base stations. This fuels demand for ...



USAG Humphreys

Located along the western coast of South Korea within the seaport city of Pyeongtaek, approximately 40 miles south of Seoul, U.S. Army Garrison (Camp) Humphreys is the "Army's Home in Korea."

South Korea Base Transceiver Station Signal Amplifiers

As South Korea continues to lead in 5G deployment and smart city initiatives, the need for sophisticated signal amplification solutions becomes critical

to ensure seamless connectivity across



Contact Us

For catalog requests, pricing, or partnerships, please visit:
<https://www.kreatywny-dom.pl>

