

KREATYWNY ENERGY POLSKA

Recommended Purchase of 2MW Energy Storage Battery Cabinets for Rural Use



Overview

Cost Projections for Utility-Scale Battery Storage: 2025 Update. Golden, CO: National Renewable Energy Laboratory. This report is available at no cost from NREL at www.nrel.gov. The StackRack SRC-2000 & SRC-5000 are advanced containerized energy solutions with up to 2000 kWh and 5000kWh of modular battery storage, respectively. The unit is designed for various. We simplify brand building with our one-stop solution for solar system battery energy storage commercial OEM/ODM production, offering services that are 15% cheaper than Alibaba, coupled with meticulous 1 by 1 quality inspections to ensure the highest standards. Secure energy resilience for your own organization while stabilizing the grid for everyone. Take control of your. Featuring lithium-ion batteries, integrated thermal management, and smart BMS technology, these cabinets are perfect for grid-tied, off-grid, and microgrid applications. Explore reliable, and IEC-compliant energy storage systems designed for renewable integration, peak shaving, and backup power. In addition, Machan emphasises.

Recommended Purchase of 2MW Energy Storage Battery Cabinets f

FLEXIBLE SETTING OF MULTIPLE WORKING MODES

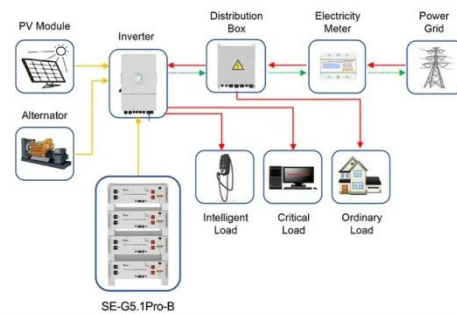


Outdoor cabinet

Outdoor cabinet products use high-performance LFP cell, cycle life up to 8000 times. Products adopt an active balance solution, built-in cloud equipment, support remote maintenance and monitoring, and ...

SRC-2000 , Advanced Megawatt Battery Storage Solution

Modular design with up to 2MW in 200kWh increments. Discover the SRC-2000, an advanced battery storage solution with up to 2000 kWh. Ideal for energy optimization and critical infrastructure support.



Application scenarios of energy storage battery products

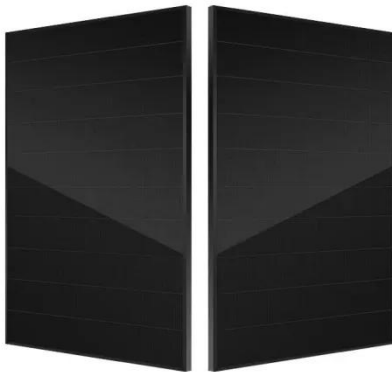


All-in-One Energy Storage Cabinet & BESS Cabinets , Modular, ...

Featuring lithium-ion batteries, integrated thermal management, and smart BMS technology, these cabinets are perfect for grid-tied, off-grid, and microgrid applications. Explore reliable, and IEC ...

2MWH Containerized Solar Battery Storage System

Polinovel 2MWH commercial energy storage system (ESS) is tailored for high-capacity power storage, ideal for large-scale renewable energy generation, PV self-consumption, off-grid applications, peak ...



Energy Storage Enclosures/Cabinets , Modular Design to Meet ...

To accommodate different climates, we provide professional recommendations based on customer usage scenarios and requirements. This ensures that energy storage cabinets maintain excellent ...

215KWH 1MWH 2MWH Commercial Battery Energy System

With our commercial battery energy storage systems, your business can continue operating during power outages, keeping critical systems like lighting, refrigeration, and communication running.



Cabinets and racks - KonkaEnergy

KonkaEnergy Cabinets & Racks Collection - Engineered for secure and efficient energy storage, our battery

cabinets and racks provide robust solutions for commercial and industrial applications.



2MW Energy Storage Solutions: Powering the Future with Scalable Tech

Here's the kicker: A 2MW system today isn't just about energy storage. It's becoming the Swiss Army knife of power management - voltage support, black start capability, frequency regulation.



BESS: Battery Energy Storage System , Generac Industrial Energy

Find specs for your best-fit solution. Check out our offerings and model-specific features. Start with expert collaboration. Our team has been delivering successful onsite energy solutions for over 65 ...

Cost Projections for Utility-Scale Battery Storage: 2025 Update

In this work we describe the

development of cost and performance projections for utility-scale lithium-ion battery systems, with a focus on 4-hour duration systems. The projections are developed from an ...



Contact Us

For catalog requests, pricing, or partnerships, please visit:
<https://www.kreatywny-dom.pl>

