

New Zealand energy storage tank price



New Zealand energy storage tank price



All Purpose Engineering Invercargill Southland

APENG manufactures ERMA certified fuel tanks. ALL-PURPOSE ENGINEERING builds ERMA certified fuel tanks. Click here to see our Hazardous Substance Test Certificate STATIC FUEL STORAGE:

...

Container Energy Storage Cost in Auckland, New Zealand: A ...

Container Energy Storage Cost in Auckland, New Zealand: A 2024 Guide Summary: Curious about containerized energy storage costs in Auckland? This guide breaks down pricing factors, regional ...



Fuel storage solutions , Bulk tanks, farm tanks, trailer tanks

Whether you're in need of a farm tank or a larger tank for your commercial operations, we have a storage solution for you. Our suppliers include Fuel Storage, Carlyon, Petrotec Services and Mainline.

The need for energy storage , KPMG NZ

The choice of fuel used for storage is critical for security, price stability and environmental impact. There is value in New Zealand having diversity for its storage solutions, as seen by the ...

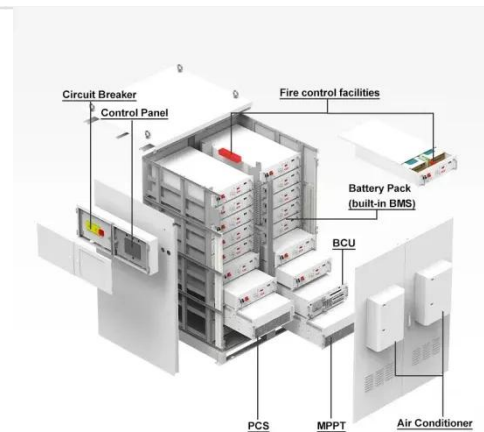


New Zealand Offshore Energy Storage Market (2025-2031)

6Wresearch actively monitors the New Zealand Offshore Energy Storage Market and publishes its comprehensive annual report, highlighting emerging trends, growth drivers, revenue analysis, and ...

New Zealand Auckland Energy Storage Container Sales Price: ...

AFRI SOLAR - Summary: Explore the latest pricing trends, applications, and market dynamics for energy storage containers in Auckland, New Zealand. Discover how businesses and renewable ...



Solar PV and Battery Capacities and Costs

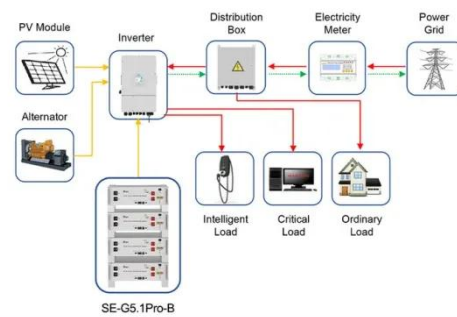
Disclaimer This appendix accompanies the report "Understanding the value of residential solar PV and storage in New

Zealand". The information and results are supplied in good faith and ...



How much does the energy storage tank cost? , NenPower

The price of an energy storage tank varies significantly based on several factors, including the technology employed, capacity, and geographic location, with costs ranging from \$200 ...



Application scenarios of energy storage battery products



Guide to the Cost of Energy Storage: 2025 Insights

This guide delivers clear, data-driven insights for anyone looking to navigate energy storage decisions confidently. We break down the latest price trends, compare leading technologies, examine regional ...

NZ Battery project

Hale & Twomey has previously produced biofuel forecasts for MBIE1, and the NZ Battery Project has requested that these are updated specifically for a cost to

meet the variable demand requirement
that ...



Contact Us

For catalog requests, pricing, or partnerships, please visit:
<https://www.kreatywny-dom.pl>

