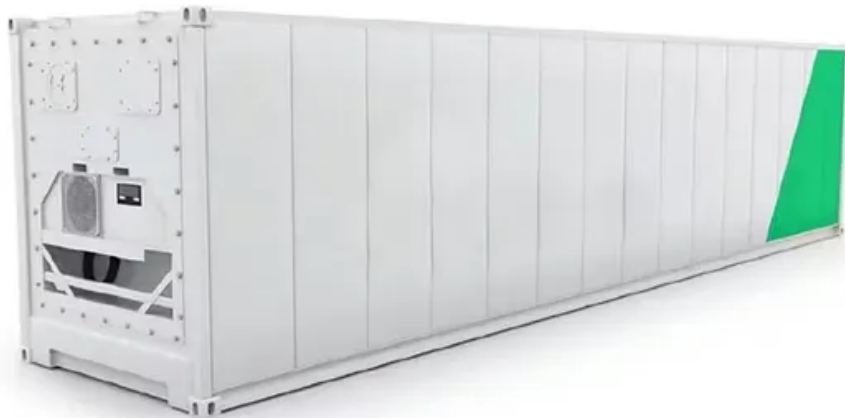


KREATYWNY ENERGY POLSKA

Mauritius Power Station 5G Energy Base Station



Mauritius Power Station 5G Energy Base Station

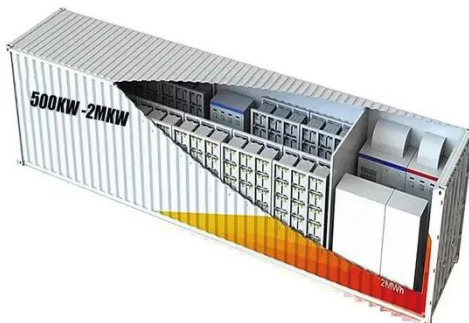
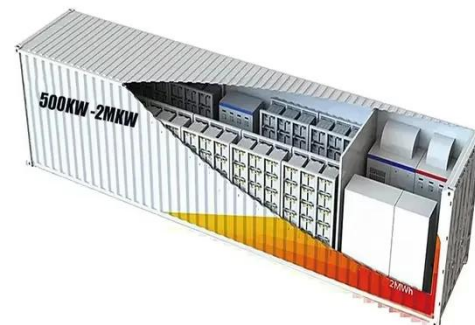


Supercapacitors for network communication base stations in Mauritius

Energy-efficiency schemes for base stations in 5G In today's 5G era, the energy efficiency (EE) of cellular base stations is crucial for sustainable communication. Recognizing this, Mobile Network ...

Mauritius Power Station 5g Energy Base Station

Mauritius Power Station 5g Energy Base Station Where are the thermal power stations located in Mauritius? Most of CEB's thermal power stations are located in the vicinity of the Port Area in Port ...



Final draft of deliverable D.WG3-02-Smart Energy Saving of ...

Change Log This document contains Version 1.0 of the ITU-T Technical Report on "Smart Energy Saving of 5G Base Station: Based on AI and other emerging technologies to forecast and ...

Mauritius 5G Communication Base Station Energy Storage ...

Wherever you are, we're here to provide you with reliable content and services related to Mauritius 5G Communication Base Station Energy Storage Construction Project, including cutting-edge solar ...



solar powered base stations

As the demand for 5G networks and data centers continues to rise, telecom operators face mounting challenges in balancing energy reliability and carbon reduction goals. EverExceed's Telecom Base ...

Power Consumption Modeling of 5G Multi-Carrier Base ...

However, there is still a need to understand the power consumption behavior of state-of-the-art base station architectures, such as multi-carrier active antenna units (AAUs), as well as the ...



Mauritius Mobile Base Station Power Supply

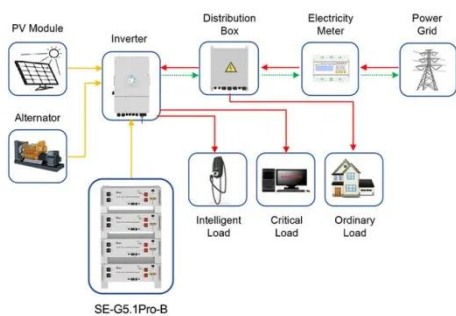
Selecting the Right Supplies for Powering 5G Base Stations These tools simplify the task of selecting the right power



management solutions for these devices and, thereby, provide an optimal power solution ...

PRODUCTION OVERVIEW

Most of the CEB's thermal power stations are located near the Port Area in Port Louis, benefiting from convenient on-shore fuel handling facilities for efficient fuel unloading. Alternative ...



Application scenarios of energy storage battery products

Energy-efficiency schemes for base stations in 5G

In today's 5G era, the energy efficiency (EE) of cellular base stations is crucial for sustainable communication. Recognizing this, Mobile Network Operators are actively prioritizing EE for both ...

Will Mauritius Communications build a 5G base station

Advanced microinverters and power optimizers now maximize energy harvest from each panel, increasing system output by 25% compared to traditional

string inverters.



Contact Us

For catalog requests, pricing, or partnerships, please visit:
<https://www.kreatywny-dom.pl>

