

KREATYWNY ENERGY POLSKA

Lima s own solar power generation system



Overview

The City of Lima is set to make a significant leap in renewable energy by deploying Ohio's largest floating solar array at the Twin Lakes Reservoir. This move signals a tectonic shift in how utilities are tackling the “duck curve” dilemma—that pesky gap between solar power generation and evening energy demand. This innovative project will enable the city to harness solar power directly from the water's surface, significantly reducing electrical costs at the. That's where the Lima Power Plant Energy Storage Project steps in, tackling renewable energy's Achilles' heel with a 600MWh battery system that's reshaping Peru's energy landscape. Let's unpack how this \$200 million initiative could become the blueprint for sustainable grids worldwide. Well, here's. Lima Utilities Director Mike Caprella, left, Mayor Sharetta Smith, Lima Council President Jamie Dixon and First Ward councilor Todd Gordon participate in a ceremonial mooring attachment to one of the more than 3,400 solar panels to be used in the Twin Lakes Floating Solar Project at Twin Lakes. Global Solar Power Tracker, a Global Energy Monitor project. Read more about Solar capacity ratings.

Lima's own solar power generation system



Lima's Floating Solar Project is the Largest in Ohio, Lowell S

By utilizing floating solar technology, Lima not only maximizes the use of available space but also enhances the efficiency of solar panels through the cooling effect of water.

Construction begins on Lima floating solar array

The array, designed by Florida-based D3Energy LLC, is expected to generate up to 2 megawatts of energy, enough to power the water treatment plant, according to Lima Utilities Director ...



Solar PV Analysis of Lima, Peru

We use our own calculation, which incorporates NASA solar and meteorological data for the exact Lat/Long coordinates, to determine the ideal tilt angle of a solar panel that will yield maximum annual ...

Lima's Floating Solar Construction Launch Courtesy of Power a Clean

On October 23rd, the City of Lima broke ground on a new floating solar array, which will use clean energy to save money for ratepayers and taxpayers.



Lima Power Plant Wins Bid for Energy Storage: What It Means for the

When the Lima Power Plant recently won the bid for a major energy storage project, it wasn't just another corporate press release. This move signals a tectonic shift in how utilities are ...

Lima off-grid solar power generation system

Harness the power of the sun with our off grid solar system kit, providing reliable and sustainable electricity for remote locations, off grid homes, and backup power solutions.



Lima solar project

Lima solar project is an operating solar farm in Lima, Peru.



Lima pumped storage power station

The Lima pumped-storage project is part of a capital expansion programme by Eskom, to help meet the country's growing electricity demand. The feasibility design of the 1500 MW scheme,



- ✓ 100KW/174KWh
- ✓ Parallel up-to 3sets
- ✓ IP Grade 54
- ✓ EMS AND BMS

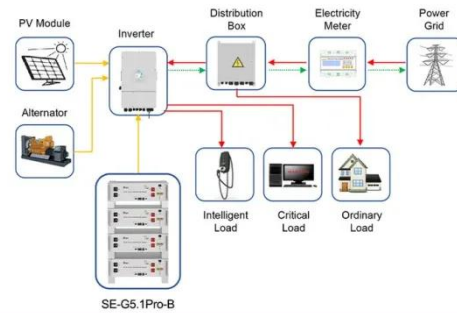
City of Lima receives award for floating solar project

In 2023, the City of Lima partnered with D3 Energy, LLC for the design and construction of floating solar panels that will be located on the surface of Twin Lakes Reservoir, next to the City of Lima's Water ...

Lima Power Plant Energy Storage: Solving Renewable Energy's ...

That's where the Lima Power Plant Energy Storage Project steps in, tackling

renewable energy's Achilles' heel with a 600MWh battery system that's reshaping Peru's energy landscape. Let's unpack ...



Application scenarios of energy storage battery products

Contact Us

For catalog requests, pricing, or partnerships, please visit:
<https://www.kreatywny-dom.pl>

