

**KREATYWNY ENERGY POLSKA**

# **Intelligent Energy Storage Cabinet 48V Supplier**



## Intelligent Energy Storage Cabinet 48V Supplier



### 48V Cabinet Lithium Battery 7.68kWh Industrial ...

Experience industrial-grade power reliability: Our 48V 150Ah cabinet lithium battery delivers 7.68kWh of high-density storage in a robust, free-standing design.

### All-In-One Industrial and Commercial Energy Storage Cabinet System

All-in-one, high-performance energy storage system for various industrial and commercial applications. Highly suitable for all kinds of outdoor applications such as EV charging stations, industrial parks, ...




Single Phase Hybrid

- 5 Year Warranty Period
- Global Leading Inverter Brand
- Top 3 World Single Phase PV Inverter Supplier

### Home Energy Storage Systems , LiFePO4 Battery Manufacturer

At CooliBattery, we specialize in manufacturing and supplying high-performance LiFePO4 home energy storage systems designed for solar applications, off-grid living, and residential backup.

## Cabinet Energy Storage System , VREMT

Discover our high-efficiency, modular battery systems with zero capacity loss and rapid multi-cabinet response. Ideal for industrial, commercial, and emergency applications, our solutions offer remote ...



## EV-SBS Lithium Energy Storage System 48V

The SBS rack/cabinet mounted lithium energy storage battery uses high cycle lithium iron phosphate cells, high-performance BMS protection and battery management system.

## IMPROVE 48V (51.2V) 200Ah Cabinet Type Energy Storage Lithium ...

IMP 48V Battery System supports solar energy storage of both commercial and industrial purposes. The system is built from integration of LiFePO4 Basic Storage Battery in parallel connection with BMS for ...



## Vertiv(TM) EnergyCore, Lithium Ion Battery Cabinet

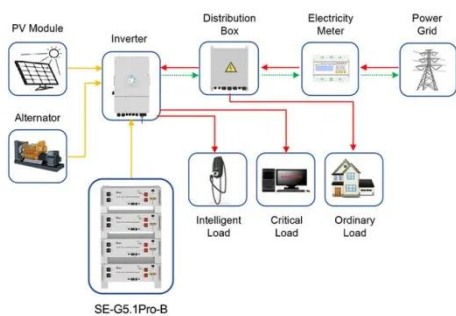
With advanced BMS intelligence for precise State of Charge and State of



Health tracking, EnergyCore cabinets simplify installation, reduce maintenance, and optimize runtime.

### All-in-One Energy Storage Cabinet & BESS Cabinets , Modular, ...

Featuring lithium-ion batteries, integrated thermal management, and smart BMS technology, these cabinets are perfect for grid-tied, off-grid, and microgrid applications. Explore reliable, and IEC ...



Application scenarios of energy storage battery products

### 48V CABINET ENERGY STORAGE LiFePO4 BATTERY

We produce high-quality 48V CABINET ENERGY STORAGE LiFePO4 BATTERY. As a factory, we ensure reliability & durability in every product. Contact us for customized solutions.

### Energy Storage Enclosures/Cabinets , Modular Design to Meet ...

Our battery storage cabinets are constructed with a modular design,

providing optimal flexibility for businesses across various sectors. Our power storage cabinets also adhere to safety and quality ...



---

## Contact Us

---

For catalog requests, pricing, or partnerships, please visit:  
<https://www.kreatywny-dom.pl>

