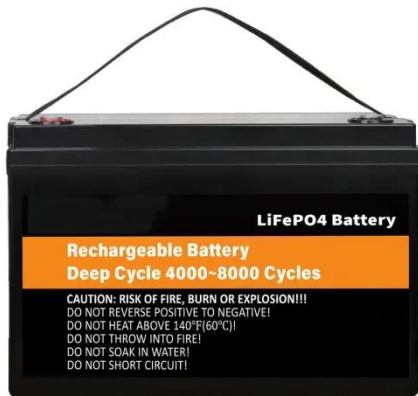


# How to connect to the Internet with the battery energy storage system of a communication base station



## How to connect to the Internet with the battery energy storage system

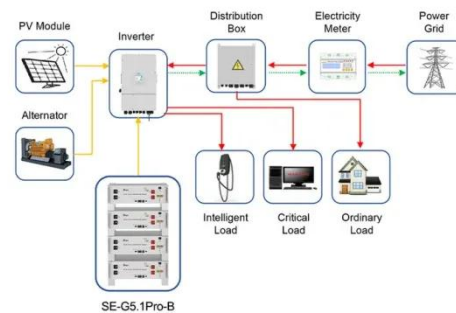


### Energy Storage Solutions for Communication Base Stations

Investing in robust energy storage solutions for communication base stations offers a multitude of benefits. These include minimized operational interruptions, enhanced service reliability, ...

### How Communication Base Station Energy Storage Lithium Battery ...

The core hardware of a communication base station energy storage lithium battery system includes lithium-ion cells, battery management systems (BMS), inverters, and thermal ...



Application scenarios of energy storage battery products



### Leveraging Battery Energy Storage for Enhanced Efficiency in ...

The implementation of battery energy storage systems in the telecom industry, specifically for enhanced backup power, offers a reliable, scalable, and environmentally friendly solution. By ...

### What are the communication

## interfaces of a Battery Energy Storage System?

However, DNP3 has a relatively complex protocol structure, which may require more resources for implementation and maintenance compared to some other protocols. Conclusion In ...



## Communication Base Station Energy Solutions

Communication Base Station Energy System Solution The Importance of Energy Storage Systems for Communication Base Station With the expansion of global communication networks, especially the ...

## Grid-connected battery energy storage system: a review on ...

Battery energy storage system (BESS) has been applied extensively to provide grid services such as frequency regulation, voltage support, energy arbitrage, etc. Advanced control and ...



## Revolutionising Connectivity with Reliable Base Station Energy Storage

Discover how base station energy storage empowers reliable telecom

connectivity, reduces OPEX, and supports hybrid energy.



---

## Battery Energy Storage Systems , BESS , HMS Networks

A Battery Energy Storage System (BESS) is a complex electrical system designed to store electrical energy in batteries and discharge it when needed. It serves various purposes, including ...



---

## A Study on Energy Storage Configuration of 5G Communication Base

5G base station has high energy consumption. To guarantee the operational reliability, the base station generally has to be installed with batteries. The base station battery system may be ...

---

## Communication Base Station DC Energy Storage: Powering ...

Have you ever wondered why communication base stations consume

60% more energy than commercial buildings? As 5G deployments accelerate globally, the DC energy storage systems

...



---

## Contact Us

---

For catalog requests, pricing, or partnerships, please visit:  
<https://www.kreatywny-dom.pl>

