

KREATYWNY ENERGY POLSKA

How to Choose a Mobile Smart Photovoltaic Energy Storage Container



Overview

When choosing the best solar container system for your energy needs, prioritize models with at least 10 kWh battery capacity, MPPT charge controllers, and IP65-rated enclosures for durability—ideal for remote power, mobile operations, or backup energy. In these first 100 words, we outline the fundamentals of mobile solar containers and take you through the process of determining whether a solar shipping container or a fully integrated shipping container solar system will best serve your project. Representing a monumental leap forward in sustainable energy technology, this system combines cutting-edge design with unparalleled functionality to revolutionize. The HJ Mobile Solar Container comprises a wide range of portable containerized solar power systems with highly efficient folding solar modules, advanced lithium battery storage, and smart energy management. Rapid deployment, high efficiency, scalable energy storage, remote monitoring support.

How to Choose a Mobile Smart Photovoltaic Energy Storage Container

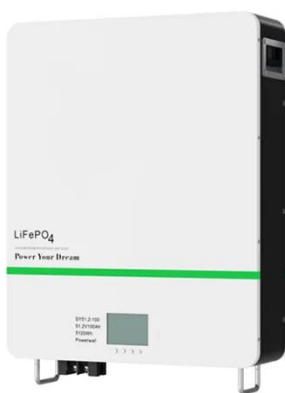
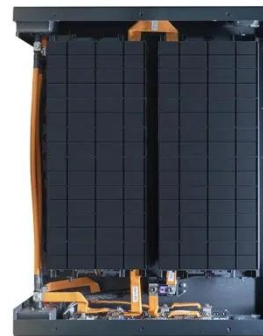


Customized Mobile Solar Container , Portable Solar Energy Storage

Customers can customize power capacity, battery storage, inverter types, and auxiliary power sources like diesel generators or wind turbines to tailor the container for specific mission requirements.

Introducing the Future of Renewable Energy: Mobile Photovoltaic Energy

With our Mobile Photovoltaic Energy Storage Container System, we're proud to offer a practical, scalable solution that empowers individuals and businesses to embrace renewable energy ...



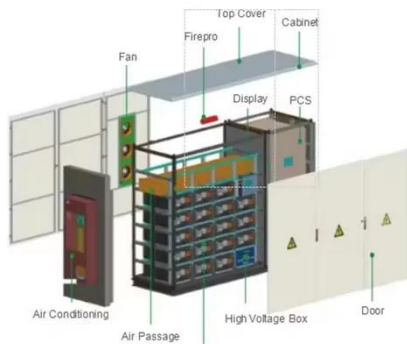
Solar Power Container: Complete Guide to Portable Solar Energy ...

Comprehensive guide to solar power containers covering system components, applications, sizing, installation, costs, and benefits for off-grid power, emergency backup, and mobile energy ...

Mobile Solar Energy Storage Containers: The Future of Portable

...

Imagine having a power plant that fits inside a shipping container and runs entirely on sunlight. That's exactly what mobile solar energy storage containers offer--a plug-and-play solution ...

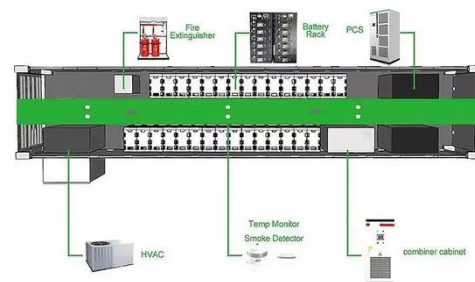


How to Choose the Right Mobile Solar Container for You

In these first 100 words, we outline the fundamentals of mobile solar containers and take you through the process of determining whether a solar shipping container or a fully integrated ...

Mobile Solar PV Container , Portable Solar Power Solutions

High-efficiency Mobile Solar PV Container with foldable solar panels, advanced lithium battery storage (100-500kWh) and smart energy management. Ideal for remote areas, emergency rescue and ...



How to Choose the Best Solar Container System: A Complete Buying ...

Discover key factors when selecting a solar container system, including types, specs, pricing, and top considerations for



off-grid or commercial use.

How Do Mobile Solar Containers Work Efficiently? A Real Look at Smart

How do mobile solar containers work efficiently? Discover how smart EMS, battery optimization, and folding solar panels deliver clean, off-grid power anywhere.

PUSUNG-R (Fit for 19 inch cabinet)



Solar Container , Large Mobile Solar Power Systems

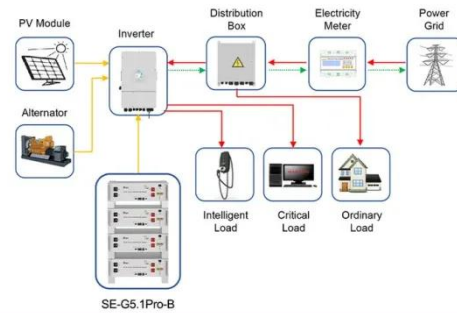
Customize your container according to various configurations, power outputs, and storage capacity according to your needs. Lower your environmental impact and achieve sustainability objectives by ...



Solarabox Solar Containers , Products & Configurations

Explore Solarabox's solar container

product lineup--modular, scalable, high-efficiency systems. Download specs, compare models, request quote.



Application scenarios of energy storage battery products

Contact Us

For catalog requests, pricing, or partnerships, please visit:
<https://www.kreatywny-dom.pl>

