

KREATYWNY ENERGY POLSKA

How much is the system of Turkmenistan Energy Storage Container Plant



How much is the system of Turkmenistan Energy Storage Container



How much is the system of Turkmenistan Energy Storage Container Plant

With 80% of its electricity generated from natural gas, Turkmenistan seeks to diversify its energy mix through storage systems that enable: Three major initiatives are reshaping the sector: 1. Ashgabat ...

Turkmenistan Energy Storage Market (2025-2031) , Value & Trends

The Turkmenistan Energy Storage Market is experiencing a growing demand for energy storage solutions driven by the country's increasing focus on renewable energy integration and grid stability.



TURKMENISTAN'S GRID ENERGY STORAGE PROJECT POWERING A

Intelligent Photovoltaic Energy Storage Container 350kW Project Financing What is a mobile solar PV container? High-efficiency Mobile Solar PV Container with foldable solar panels, advanced lithium ...

TURKMENISTAN ENERGY STORAGE POWER STATION

Integrated prefabricated cabin for energy storage power station With the core objective of improving the long-term performance of cabin-type energy storages, this paper proposes a collaborative design ...



Commercial and Industrial ESS

Air Cooling / Liquid Cooling

- Budget Friendly Solution
- Renewable Energy Integration
- Modular Design for Flexible Expansion

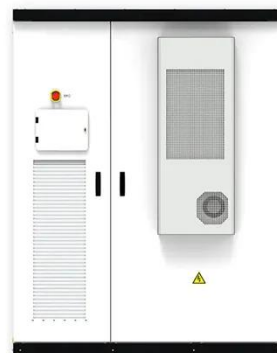


Turkmenistan energy storage cost per kwh

Compressed air energy storage (CAES) is one of the many energy storage options that can store result in the cost per kilowatt-hour of stored energy. Figure 2. CAES systems classifications (adapted ...

Ashgabat Energy Storage Container Power Station Solution: ...

Summary: Discover how the Ashgabat Energy Storage Container Power Station Solution addresses growing energy demands in Turkmenistan's capital. This article explores its applications in renewable ...



Turkmenistan power storage solution

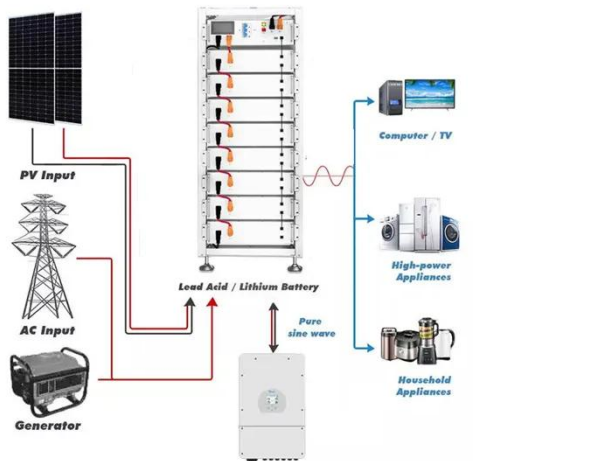
New energy storage management in Moldova Moldova will buy a Battery

energy storing system (BESS) of the last generation, with a capacity of 75 MW, as well as internal combustion engines (ICE) with a



Energy Storage Power Station Projects in Turkmenistan: ...

We specialize in large-scale energy storage systems, mobile power stations, distributed generation, microgrids, containerized energy storage, photovoltaic projects, photovoltaic products, solar industry ...



TURKMENISTAN POWER GRID ENERGY STORAGE SOLUTION

North Macedonia Power Plant Energy Storage System Solution Here are some key points: Cost: Lithium-ion batteries for storage are averaging EUR450-EUR600 per kWh1 vestments: The country is attracting ...

TURKMENISTAN ENERGY STORAGE COST PER KWH

How much does a container energy storage cabinet cost in Cyprus Costs

range from EUR450-EUR650 per kWh for lithium-ion systems. Higher costs of EUR500-EUR750 per kWh are driven by higher installation ...



Contact Us

For catalog requests, pricing, or partnerships, please visit:
<https://www.kreatywny-dom.pl>

