

How much does a solar panel cell cost



Overview

5 kW solar system, you'll spend anywhere from \$16,600 to \$20,500 before accounting for tax credits or rebates. Solar panels cost between \$2. Most homeowners spend between \$12,600 and \$33,376 to install a complete residential solar system in 2026, with the national average at \$19,873 before incentives. Your actual cost depends on your home's energy needs, roof characteristics, location and other factors, all of which we'll break down in. Solar panel costs range from \$16,600 to \$20,500 for the average 6. This typically translates to about \$2. 50 per watt of installed capacity (more on price per watt below).

How much does a solar panel cell cost



How Much Do Solar Panels Cost? - Forbes Home

Solar panel costs range from \$16,600 to \$20,500 for the average 6.5 kW system, but prices can vary from as little as \$7,700 for smaller solar systems to upward of \$34,700 for larger systems.

Solar panel cost in 2026: It may be lower than you think

Solar panels cost about \$30,500 on average--but often pay for themselves several times over through 25-30 years of electricity savings. Why trust EnergySage? If you've been putting off ...



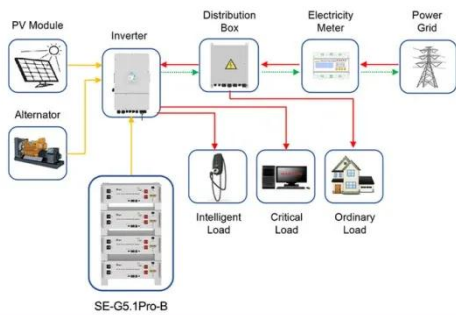
Solar Panel Costs in 2026 : It's Usually Worth It

This guide explains the costs involved in going solar, factors that affect pricing, and how to decide if solar panels are the right choice for you.



Solar Panel Cost Breakdown

Using these numbers, an average-sized 8-kilowatt residential solar system would cost between \$21,900 - \$26,400. Regional pricing differences, the system size, local installation costs, ...



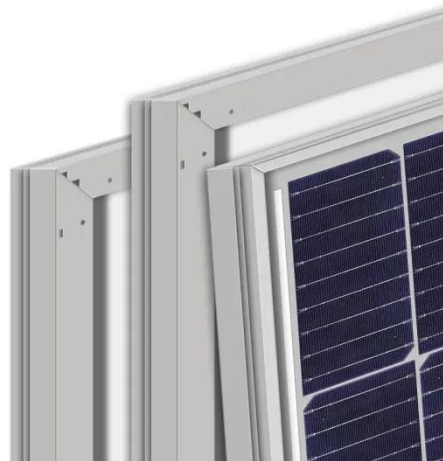
Application scenarios of energy storage battery products

How Much Do Solar Panels Cost? (2026) , ConsumerAffairs®

Solar panels can lower your electricity bill by 75% or more, but the upfront investment is significant. Most homeowners spend between \$12,600 and \$33,376 to install a complete residential

How Much Do Solar Panels Cost? - Forbes Home

This guide explains the costs involved in going solar, factors that affect pricing, and how to decide if solar panels are the right choice for you.



Solar Panel Costs in 2026

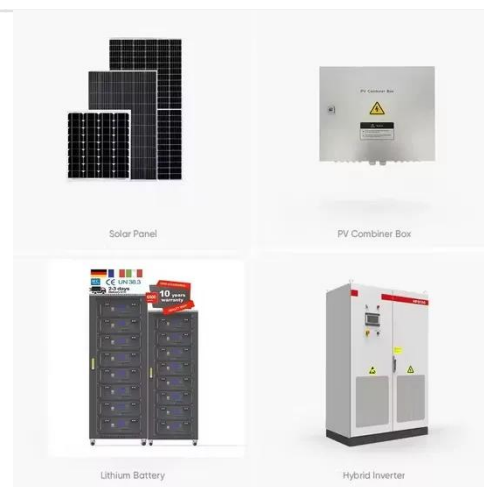
Solar panel systems cost between \$18,000 and \$43,000 before incentives. Federal, state, and local incentives can cut solar costs by 30-60%. The average

payback period for solar panels is 8.5 years, ...



How Much Do Solar Panels Cost? (2026)

Residential solar panel systems cost \$0.09 to \$0.11 per kilowatt-hour (kWh) installed on average, though prices vary greatly depending on the type of panels and how much daily sun they ...



How Much Do Solar Panels Cost in 2026?

Based on our 2025 survey of 1,000 solar customers, the national average price for a single solar panel professionally installed is \$1,200. This means most full-size systems of between 20 and 30 panels ...

How Much Do Solar Panels Cost? (2026) , Today's Homeowner

Most homeowners today pay between \$2.60 and \$3.10 per watt of solar

capacity. If your house uses about 886 kilowatt-hours of electricity per month (which is average), you'll likely need a ...



Solar Panel Cost Archives

How much do solar panels cost on average? As of 2026, the average cost of residential solar panels in the U.S. is between \$15,000 and \$25,000 before incentives. This typically translates to about \$2.50 ...



Contact Us

For catalog requests, pricing, or partnerships, please visit:
<https://www.kreatywny-dom.pl>

