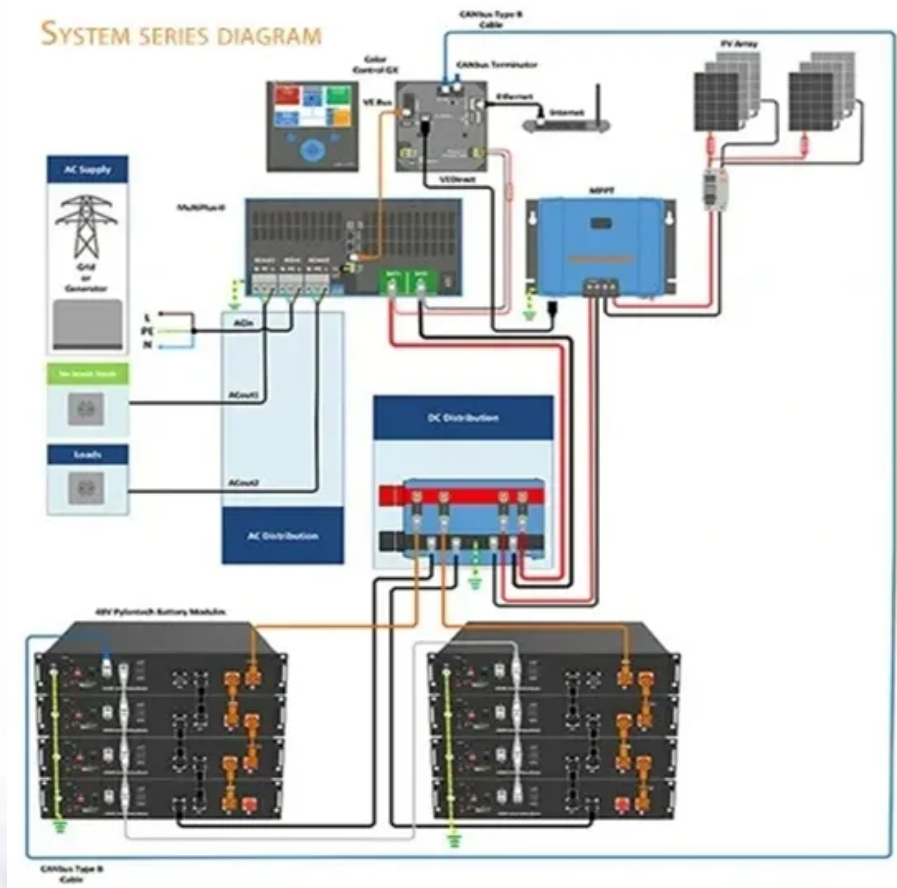


# How many batteries are needed for 20kW solar power generation



## Overview

---

How many batteries do I need for a 20kW solar system?

To store one day of energy, you'll need around 6 to 8 lithium batteries (13. A 20kW solar system generates about 80–100 kWh per day. Battery needs depend on backup hours and. Meticulously assessing your energy needs and usage patterns will help you determine how many batteries are required for a 20kW solar system. Discover the key factors in optimizing storage capacity and efficiency. For a 20kW solar system, the number of batteries needed depends on various factors to. Are you considering a 20kW solar system and wondering how many batteries you'll need?

It's a common question for anyone looking to harness solar energy effectively. If you want to know how many batteries for 20kw solar. However, by adding solar batteries to your system, you can utilize all the energy generated by your system to keep essential appliances running during such outages and maximize your savings when energy prices are at their peak.

## How many batteries are needed for 20kW solar power generation

---



### How many solar batteries do I need?

To save the most money possible, you'll need two to three batteries to cover your energy usage when your solar panels aren't producing. You'll usually only need one solar battery to keep the ...

---

### What Can a Solar System Run: 3KW, 8kW, 20kW & More Sizes

However, by adding solar batteries to your system, you can utilize all the energy generated by your system to keep essential appliances running during such outages and maximize ...



### How Many Batteries Do I Need for solar system

Battery usage is highly dependent on system type: The number of batteries needed varies considerably based on whether the solar system is completely off-grid, a hybrid system connected to ...

---

### How Many Batteries for 20kw Solar System

If you are confused about how to calculate the number of batteries required for a 20kw solar system, you need to go through this calculation guide. Here, you will learn how to determine the ...



## How Many Batteries for 20kw Solar System?

How Many Batteries Does a 20kW Solar System Require? A 20kW solar system typically generates around 80-100 kWh of electricity per day, depending on factors such as location, weather ...

## How Many Batteries Do I Need for a 20kW Solar System?

Meticulously assessing your energy needs and usage patterns will help you determine how many batteries are required for a 20kW solar system. Discover the key factors in optimizing ...



## How Many Batteries Do I Need for a 20kW Solar System

How many batteries do I need for a 20kW solar system? To store one day of energy, you'll need around 6 to 8 lithium batteries (13.5 kWh each) for a 20kW

solar system, depending on your ...



---

### **How Many Batteries Are Needed for a 20kW Off-Grid Solar Panel ...**

This guide explains exactly how many batteries you need for a 20kW off-grid solar system, along with realistic calculations, configurations, costs, and common mistakes to avoid.



---

### **20kW Solar System: Price, Load Capacity, How Big, and More**

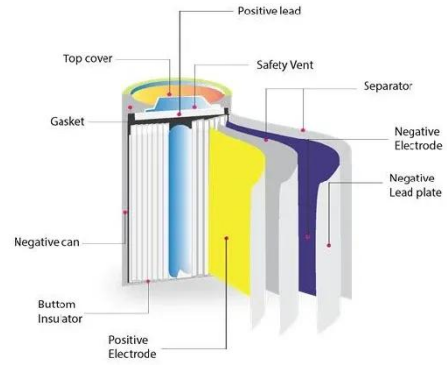
For a 20kW off-grid solar system, you will need to purchase 67 or more solar panels. Additionally, a total battery capacity of 126 kWh worth of lithium polymer batteries is needed to ...

---

### **How Many Batteries for 20kW Solar System: A Guide to Optimizing ...**

Discover how many batteries you need for a 20kW solar system in our comprehensive guide. From essential calculations to battery types, we cover

everything to optimize energy savings ...



---

## Contact Us

For catalog requests, pricing, or partnerships, please visit:  
<https://www.kreatywny-dom.pl>

