

KREATYWNY ENERGY POLSKA

DC motor of Huawei inverter



Overview

Huawei's on board charger EV system integrates OBC, bidirectional inverter, and DC/DC functions to deliver efficient power conversion and reliable EV charging performance. Market Leadership with Proven Technology: Huawei maintains its position as the world's #1 solar inverter manufacturer for six consecutive years, commanding 29% of the global market through superior AI-powered optimization, 99% peak efficiency, and extensive R&D investment representing 54.1% of. nvert and to feed into the grid. For this reason the DC current is lower which is relie ing the DC part of the inverter. In these cases, the so-called "DC-to-AC ratio" is larger than 1, or larger than 10 how much energy is available from the solar modules. If the solar modules generate more power than the inverter can process, the inverter will automatically shift. atio Euro. Input Volta 50 V d AC Active Power ax. AC G Pow . Building on decades of experience in large-scale commercial and utility solar, Huawei jumped into the residential solar market in 2018 with an efficient, lightweight hybrid solar inverter offering an impressive range of features at a competitive price. Then, only two years later, Huawei released.

DC motor of Huawei inverter



SUN5000 Series , Smart String Inverter , HUAWEI Smart PV Global

Introducing a remarkable collaboration between inverters and optimizers, the SUN5000 Series is designed to deliver peak performance. Thanks to Huawei's innovative optimizing system, each PV ...

On Board Charger EV System for Efficient Charging

Huawei's on board charger EV system integrates OBC, bidirectional inverter, and DC/DC functions to deliver efficient power conversion and reliable EV charging performance.



String Inverter (SUN2000-30KTL-A)

Safe DC disconnect integrated, safe and convenient for maintenance Type II surge arresters for both DC and AC Ground fault protection



Huawei Solar Inverter Complete Guide 2025: Models, Performance

Huawei inverters are compatible with most solar panels, provided the panel specifications fall within the inverter's operating parameters. The wide voltage range (120V-600V) and high current ...



Huawei Inverter and Battery Review -- Clean Energy Reviews

The new inverters also feature an integrated DC isolator which is certified to Australian standards, but of course the big ticket winners are the optimisation and plug and play battery ...

Huawei Solar Inverters

Huawei offers inverter solutions for residential, commercial and utility-scale. By integrating cutting-edge digital, internet, and PV technology, Huawei's FusionSolar Smart PV Solution is efficient, easy to ...



Operation of Huawei SUN2000 Inverters with high DC/AC Ratio

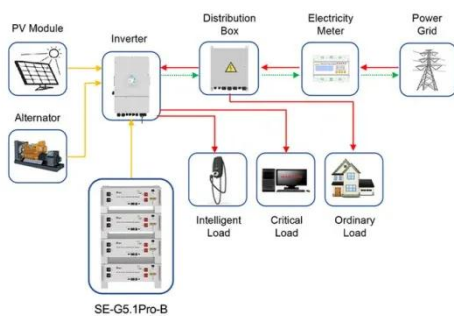
Operation of Huawei SUN2000 Inverters with high DC/AC Ratio invert and to feed into the grid. As soon as there is more

DC power available from the solar modules the inverter is limiting the DC power with ...



Huawei Inverter Review - Are They Good?

Huawei inverters have a maximum DC input power rating, which represents the maximum amount of power that can be input from solar panels. The maximum DC input power can ...



Application scenarios of energy storage battery products

Using Huawei SUN2000 inverters with high DC/AC ratios

Provided that the system is designed with these constraints in mind, high DC/AC ratios will not cause any detrimental effects to the reliability, lifetime or warranty of Huawei SUN2000 inverters.

Introduction to Huawei inverters and comparison of different models

Today's article mainly introduces Huawei inverters and comparison of different models. The Huawei inverters

ETP23006-C1A1, ETP23012-C2A1, and
ETP23018-C3A1 convert -48 V DC ...



Contact Us

For catalog requests, pricing, or partnerships, please visit:
<https://www.kreatywny-dom.pl>

