

KREATYWNY ENERGY POLSKA

Construction of Thimphu communication base station



Overview

This market report covers trends, opportunities, and forecasts in the 5G base station construction market in Thailand to 2031 by type (femto, pico, small, and macro), and application (smart home, medical & mission-critical applications, logistics & transportation, safety & . This market report covers trends, opportunities, and forecasts in the 5G base station construction market in Thailand to 2031 by type (femto, pico, small, and macro), and application (smart home, medical & mission-critical applications, logistics & transportation, safety & . In accordance with Section 51(2) of the Information, Communications and Media Act of Bhutan 2018 (“the Act”), the Bhutan InfoComm and Media Authority (“the Authority”) hereby issues this Standard for the Establishment of the Telecommunications Towers. Title and Commencement This standard shall. Power consumption based on 5G communication · At present, 5G mobile traffic base stations in energy consumption accounted for 60% ~ 80%, compared with 4G energy consumption increased three times. It usually connects the device to other networks or devices through a dedicated high bandwidth wire of fiber optic connection. The cabinet houses critical components like main base station equipment, transmission equipment, power supply systems, and battery banks. Meanwhile, the pole serves as a mounting point for antennas, Remote Radio Units (RRUs), and . Energy: Delivered power measured in kilowatt-hours (kWh). A grid enables power to be transmitted from areas having a surplus to areas experiencing a shortage.

Construction of Thimphu communication base station



BASIC DESIGN STUDY REPORT ON THE PROJECT FOR THE ...

As a result of this project, a local network, an international switching system and an earth station were installed and the telecommunications services in the Thimphu Exchange area have been ...

DSMP_REPORT_Thimphu.pdf

balance the initial capex and optimize the running and maintenance costs. Therefore, it is recommended that ESD Thimphu maintain a similar ratio while extending or constructing new infrastructure. The ...



Power supply and distribution for Thimphu 5G base station

· With the mass construction of 5G base stations, the backup batteries of base stations remain idle for most of the time. It is necessary to explore these massive 5G base

Complete Guide to 5G Base Station

Construction , Key Steps, ...

Explore how 5G base stations are built--from site planning and cabinet installation to power systems and cooling solutions. Learn the essential components, technologies, and challenges ...



THIMPHU ENERGY STORAGE AND CHARGING STATIONS

Energy storage systems (ESS) are vital for communication base stations, providing backup power when the grid fails and ensuring that services remain available at all times. [pdf]

Standards for the Establishment of the Telecommunications ...

In accordance with Section 51(2) of the Information, Communications and Media Act of Bhutan 2018 ("the Act"), the Bhutan InfoComm and Media Authority ("the Authority") hereby issues this Standard ...



5G Base Station Construction Market in Thailand

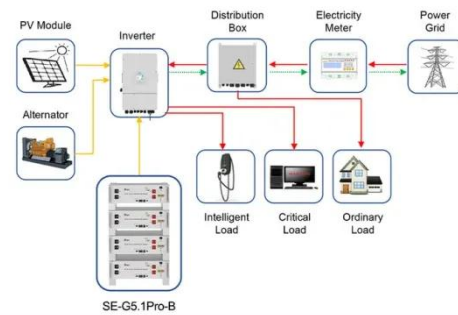
Government strategic assistance and private investment have worked together to accelerate the process of

building 5G base stations nationwide, to increase network capacity and offer faster, more stable ...



Base Stations

Base stations form a key part of modern wireless communication networks because they offer some crucial advantages, such as wide coverage, continuous communications and an array of ...



Application scenarios of energy storage battery products

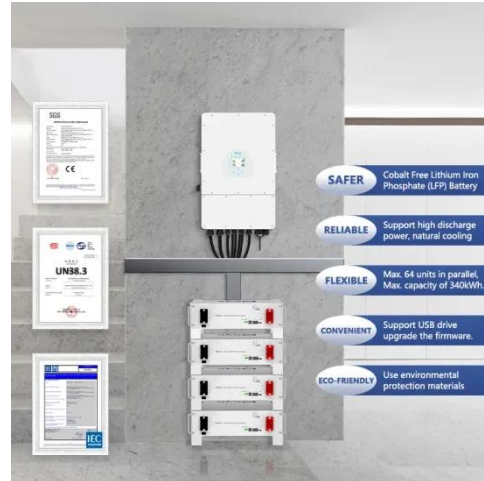


Construction of power supply and distribution for 5G base station ...

This publication guides the user in applying the principles and practices of erosion and sediment control to the planning, design and construction of main roads, as well as

DSMP_REPORT_Trongsa.pdf

The feeder wise distribution lines and transformers were modeled and mapped in the ETAP tool and the base case was developed for the existing distribution network.



Contact Us

For catalog requests, pricing, or partnerships, please visit:
<https://www.kreatywny-dom.pl>

