

**KREATYWNY ENERGY POLSKA**

# **Belgrade communication base station battery energy storage system bidding**



## Belgrade communication base station battery energy storage system

---

CE UN38.3 MSDS



### ENERGY STORAGE FOR TRAMS CLEAN BELGRADE ENERGY STORAGE

Belgrade large capacity energy storage battery The project, to be owned and operated by Serbia's state power utility Elektroprivreda Srbije (EPS), boasts a total installed capacity exceeding 1 GW, with a 200 MW/400 ...

---

### Dushanbe belgrade energy storage project bidding

EWEK (Emirates Water and Electricity Company), a leading company in the integrated coordination of planning, purchasing and supply of water and electricity across the UAE, today invited developers and developer ...

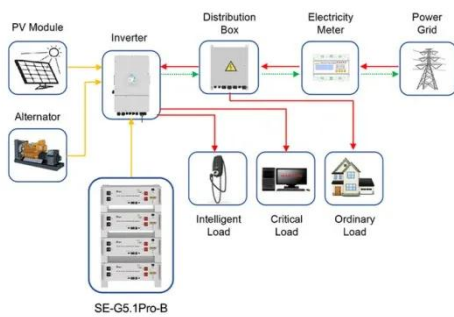


### BELGRADE INDUSTRIAL AND COMMERCIAL ENERGY STORAGE SYSTEM

The Industrial and Commercial (C& I) Energy Storage: Construction, Commissioning, and O& M Guide provides a detailed overview of the processes involved in building, commissioning, and maintaining energy storage ...

## Belgrade solar container industry headquarters base project bidding

Belgrade's photovoltaic energy storage project bidding has become a focal point for global renewable energy developers. With Serbia aiming to generate 40% of its electricity from renewables by 2040,



Application scenarios of energy storage battery products

## BiH laying groundwork for battery energy storage systems

Bosnia and Herzegovina is set to have its first battery energy storage systems installed in the transmission network, which will provide auxiliary services.

## DUSHANBE BELGRADE ENERGY STORAGE PROJECT BIDDING

Search all the battery energy storage system (BESS) projects, bids, RFPs, ICBs, tenders, government contracts, and awards in Sao Tome and Principe with our comprehensive online database. [pdf]



## BELGRADE BASE

The photo shows the energy storage station supporting the Ningdong Composite Photovoltaic Base Project. This energy storage station is one of the

first batch of projects supporting the 100 GW large-scale wind and ...



---

## **BELGRADE BATTERY ENERGY STORAGE PROJECT**

High-performance storage batteries and their materials, including high-capacity storage batteries (e.g., solid-state batteries) with an energy density capable of more than doubling the current ???



---

## **BELGRADE ENERGY STORAGE BASE PLANT OPERATION**

The Serbian government has called for the development of a spatial plan for six large-scale solar plants with a cumulative capacity of 1 GW that will be colocated with two-hour battery energy storage systems with a ...



---

## **Belgrade Photovoltaic Energy Storage Project Bidding: Key Insights for**

Belgrade's photovoltaic energy storage

project bidding has become a focal point for global renewable energy developers. With Serbia aiming to generate 40% of its electricity from renewables by 2040, the city's ...



---

## Contact Us

For catalog requests, pricing, or partnerships, please visit:  
<https://www.kreatywny-dom.pl>

