

KREATYWNY ENERGY POLSKA

Apia solar energy storage cabinetized fixed type



Overview

tomizable solutions for generating and storing solar power. In this guide, we'll explore the components, working principle, advantages. For renewable system integrators, EPCs, and storage investors, a well-specified energy storage cabinet (also known as a battery cabinet or lithium battery cabinet) is the backbone of a reliable energy storage system (ESS). BMSThermal ManagementIP RatingPV & Wind IntegrationLiquid CoolingModular. ergy storage solutions for enhanced efficiency and control. Global. Flexible 2. 72kWh, supports 1 & 3-phase HV inverters. Safe LiFePO4 cells with vehicle-grade BMS. To cope with the problem of no or difficult grid access for base stations, and in line with the policy trend of energy saving and emission reduction, Huijue Group has launched an. Storz Power AI+ packages boast flexible home energy options that can power just your essentials or your whole home, regardless of size, in the event of a power outage or emergency. Access power to your entire 200 amp main panel and choose where to use your home's power.

Apia solar energy storage cabinetized fixed type



Apia integrated energy storage cabinet 15kw , ICEENG CABINET

Discover AZE's advanced All-in-One Energy Storage Cabinet and BESS Cabinets - modular, scalable, and safe energy storage solutions. Featuring lithium-ion batteries, integrated thermal management, and smart BMS ...

Apia Industrial Energy Storage Cabinet Wholesaler

As a professional manufacturer in China, produces both energy storage cabinets and battery cell in-house, ensuring full quality control across the entire production process.

114KWh ESS















Apia energy storage cabinet battery structure

An energy storage cabinet is a device that stores electrical energy and usually consists of a battery pack, a converter PCS, a control chip, and other components.

Energy Storage Equipment, Energy

storage solutions, Lithium battery

Huijue Group's Home Energy Storage Solution integrates advanced lithium battery technology with solar systems. Ranging from 5kWh to 20kWh, it caters to households of varying sizes.

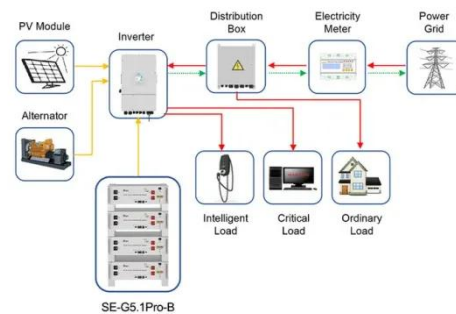


Apia container photovoltaic energy storage lithium battery

Decentralised lithium-ion battery energy storage systems (BESS) can address some of the electricity storage challenges of a low-carbon power sector by increasing the share of self

APIA INDEPENDENT SHARED ENERGY STORAGE PROJECT

With the core objective of improving the long-term performance of cabin-type energy storages, this paper proposes a collaborative design and modularized assembly technology of cabin-type energy storages with ...



Application scenarios of energy storage battery products

Apia Cabinet solar container energy storage system Function

Energy Storage Cabinet is a vital part of modern energy management system, especially when storing and

dispatching energy between renewable energy (such as solar energy and wind energy) and power grid.



About the Apia Energy Storage Cabinet Battery Company

Our certified solar specialists provide round-the-clock monitoring and support for all installed photovoltaic container systems and battery energy storage containers.



Apia Lithium Battery Energy Storage: Powering the Future of Sustainable

Summary: Explore how Apia lithium battery energy storage systems are transforming renewable energy integration, industrial operations, and residential power management. This article dives into market trends, ...

APIA ENERGY STORAGE BATTERY

The global solar storage container market is experiencing explosive growth, with demand increasing by over 200% in

the past two years. Pre-fabricated containerized solutions now account for approximately 35% of all ...



Contact Us

For catalog requests, pricing, or partnerships, please visit:
<https://www.kreatywny-dom.pl>

