

KREATYWNY ENERGY POLSKA

690W photovoltaic panel output parameters



Overview

STC: Irradiance 1000W/m², Cell Temperature 25°C, Air Mass AM1. *Measuring tolerance: ±3%. CAUTION: READ SAFETY AND INSTALLATION INSTRUCTIONS BEFORE USING THE PRODUCT. 2021 Trina Solar. Let's cut through the jargon jungle - understanding 690 photovoltaic panel parameters isn't about memorizing specs, it's about speaking solar fluently. Whether you're designing a rooftop array or evaluating commercial installations, these numbers hold the keys to energy Nirvana. Forget "maximum. PV panel specifications give you facts to help you pick the right system. You also learn how it works in real life. It is the actual voltage that the panel should read when connected to an inverter under standard test conditions. These parameters are determined from the illuminated J-V characteristic as illustrated in Fig. This means, that the total irradiance on the solar cell that should be measured is equal. The article covers the key specifications of solar panels, including power output, efficiency, voltage, current, and temperature coefficient, as presented in solar panel datasheets, and explains how these factors influence their performance and suitability for various applications.

690W photovoltaic panel output parameters



690 Photovoltaic Panel Parameters: The Engineer's Cheat Sheet for ...

Let's cut through the jargon jungle - understanding 690 photovoltaic panel parameters isn't about memorizing specs, it's about speaking solar fluently. Whether you're designing a rooftop array or ...

PV Panel Specifications: Understanding Solar Panel Technical ...

PV panel specifications explain efficiency, wattage, and ratings so you can select solar panels that match your energy needs and roof space



Sunpal Bifacial Double Glass 680W 690W 700W Solar Module For ...

The BiMAX6 modules combine the bifacial PERC technology with 210mm half-cut cells to achieves remarkable efficiency (up to 22.54%) ranging from 675W to 700W power output.

Solar Cell Parameters and

Equivalent Circuit

Solar Cell Parameters and Equivalent Circuit 9.1 External solar cell parameters unit voltage V_{oc} , and the fill factor FF. These parameters are determined from the illuminated J-V characteristic as illustrated in ...



Solar Panel Datasheet Specifications Explained

The article covers the key specifications of solar panels, including power output, efficiency, voltage, current, and temperature coefficient, as presented in solar panel datasheets, and explains how these ...

Understanding the parameters in a Solar Panel Data Sheet.

This article explains how to read and understand the most relevant terms in a Solar Panel datasheet, to make a more informed decision while choosing the brand of Solar Module.



Lepton 690W Bifacial Solar Panel Specs , PDF , Electricity

* Under Standard Test Conditions (STC) of irradiance of 1000 W/m², spectrum AM 1.5 and cell temperature of 25°C. *

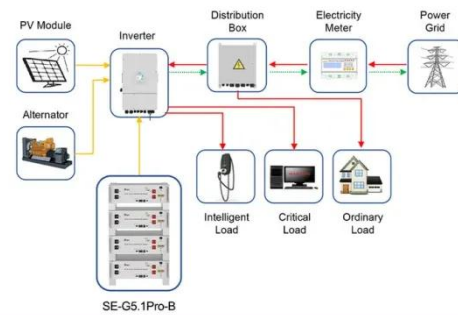
Measuring tolerance: $\pm 3\%$ * Under Nominal Module Operating Temperature

...



Photovoltaic panel parameter calculation formula chart

If you reside in an area that receives 5 hours of maximum sunlight and your solar panel has a rating of 200 watts, the output of your solar panel can be calculated as



Application scenarios of energy storage battery products

 **TAX FREE**

Product Model
HJ-ESS-215A(100KW/215KWh)
HJ-ESS-115A(50KW 115KWh)

Dimensions
1600*1280*2200mm
1600*1200*2000mm

Rated Battery Capacity
215KWH/115KWH

Battery Cooling Method
Air Cooled/Liquid Cooled



ENERGY STORAGE SYSTEM

Understanding PV Module Specs: A Datasheet Deep Dive

Learn how to read and interpret a solar panel datasheet, including critical electrical characteristics (Voc, Isc) and performance ratings (STC, NOCT).

Contact Us

For catalog requests, pricing, or partnerships, please visit:
<https://www.kreatywny-dom.pl>

